

Product Finish: Matt Black

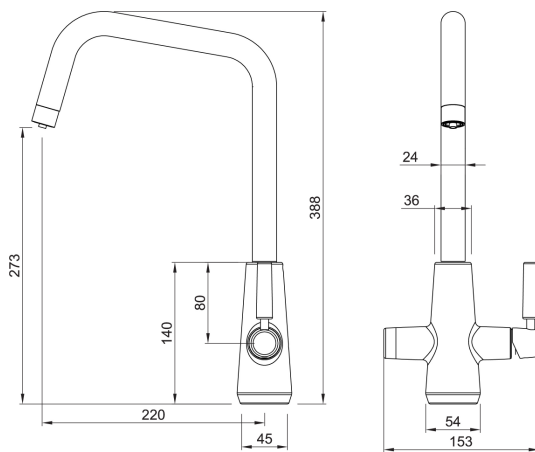
Product code: PT1044
EAN13 barcode: 5060879992849



Product features:

- Stylish 4 way mixer tap delivering domestic hot and cold, ambient and 80-98° filtered water.
- Supplied with 2 x patent pending proximity Hotkey™ activation for 80-98° water, without the Hotkey™ the product reverts to a family safe 3 way mixer.
- 360° rotating thermally insulated spout
- Ceramic disc ¼ turn smooth action control valves
- Hands free dispensing of 80-98° water possible for heavy pans
- Anti splash aerator as standard

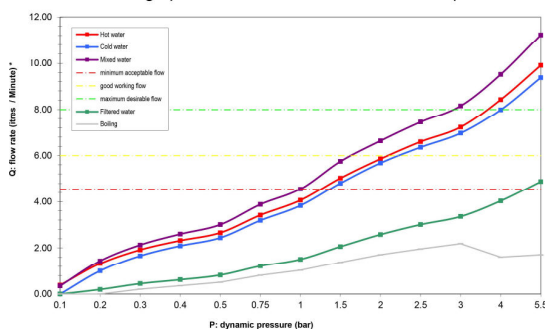
Product dimensions:



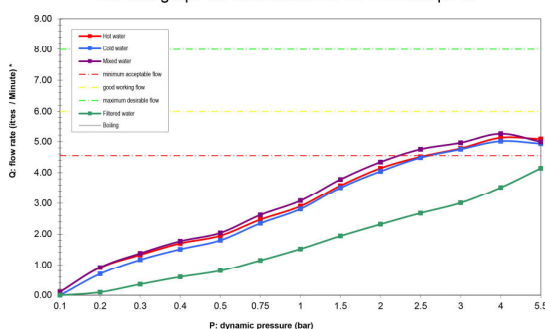
- **Overall Height / projection:** 388 mm
- **Exit reach:** 220 mm
- **Exit height:** 273 mm
- **Centre distance(s):** n/a
- **Base diameter(s):** 45 mm
- **Recommended hole diameter:** Ø35 mm
- **Max. surface depth:** 50 mm
- **Spout diameter:** 24 mm
- **Spout aerator size:** M22x1 Male

Product flow characteristics:

Flow rate graph for model: scandi 4in1 Not Limited pb4e



Flow rate graph for model: scandi 4in1 Limited pb4e



- **Min/Max water pressure:** 1.00 / 5.5 bar (mixertap only)
- **Min/Max water pressure (Flow Limited):** 2.3 / 5.5 bar (mixertap only)
- **Recommended / Max incoming domestic hot water temp:** 46°C / 70°C
- **Part G - Mixed flow rate at 3 bar (litres / min):** 8.10
- **Part G - (Flow Limited) Mixed flow rate at 3 bar (litres / min):** 4.96
- **Control valve type:** 1 x Ceramic disc S/L (Dom hot/cold), 1 x click valve (Filtered)
- **Product flow characteristics:** (C,H&F/Boiling) dual flow
- **Aerator type:** Neoperl aerator honeycomb dual flow
- **Hot and Cold inlet connections:** ½" flexi hose
- **Non return valve(s):** Yes, integral to cold supply



PROBOIL.4E features:

- Controllable tank temperature range from 75°C (holiday/eco mode) to 85,90,95,96, 97, 98°C using the touch screen controls.
- 4 Litre capacity tank, apx. 9 minutes reboil after use
- On screen filter life / replacement indicator
- Intelligent self-diagnostic control
- No external drain connection needed for a simplified and more flexible installation
- Flow limited to 2 litres/min to limit splashing and ensure a smooth flow
- Tool free, hand tight connectors to speed up installation, maintenance and descaling
- Compact size 20.6x25.6x29.1cm (excludes connections)
- 2 Year Warranty*
- WRAS approval pending

*All temperatures quoted are measured within the tank of the boiler and actual spout exit temperature may vary dependant on local conditions.

For further information refer to proboil.co.uk and our user guides.



Our premium quality **PROBOIL** filter offers the following benefits:

- Filtered ambient and 80-98°C drinking water, engineered specifically for hot and ambient water applications
- Included with every **PROBOIL** system
- 6 month life (based on 19 degrees Clark (London average hardness) and 5 litres per day usage)
- Free filter cartridge recycle scheme
- Superfine 5 micron carbon block filtration
- Chlorine taste and odour reduction.
- pH balanced delivery
- Adjustable hardness settings allows optimised filter life and boiler scale protection in both hard and soft water areas
- Inbuilt corrosion protection
- Mineral adaption and scale reduction for protection
- Simple quarter turn bayonet installation
- Automated on screen life reminder



The complete package:

Each **PRONTEAU** system includes:

- A stylish choice of intelligent 4 way **PRONTEAU** mixer taps
- 2 x 4 way mixer tap Hotkeys
- **PROBOIL.4E** hot water boiler
- **PROBOIL** advanced scale control filter
- Comprehensive user and installation guide
- Nationwide professional maintenance and service support

Care instructions summary:

- Clean the product regularly as required, using a mild soap and damp cloth, do not use any other cleaners, regular cleaning will prevent the build-up of lime scale and dirt.
- Residues of sink & worktop cleaners can also cause damage to the mixer tap, so rinse with clean water after using, avoid contact with any abrasives.
- Proboil4e requires periodic filter change and descaling, see user guide for detail.

Warranty Summary (Full details available on request):

- Mixer tap Materials and workmanship defects warranted for 5 years
- Proboil4e Materials and workmanship defects warranted for 2 years
- Mixer tap valves and working parts warranted for 5 years
- Surface finish warranty defects warranted for 1 year
- All O-rings, hoses & gaskets warranted for 1 year