

Scandi-E

Installation Guide



www.proboil.co.uk

See top of boiler for contact details

① Please read these instructions carefully before installation or use and retain for future reference.

① You must install the tap and filter before the boiler.

We have a policy of continued product and quality development and improvement. Accordingly, we reserve the right to amend the specification at any time. All errors and omissions excepted.



An information point or tip for installation or usage.



A service, maintenance or care consideration.



A technical or safety consideration or warning of hazardous situation with regard to life and property.

Using the product

Thank you for choosing this product. Reading this guide will ensure that the product is used safely and will give its best performance.



WARNING: THIS APPLIANCE CAN BE USED BY CHILDREN AGED FROM 8 YEARS AND ABOVE AND PERSONS WITH REDUCED PHYSICAL, SENSORY OR MENTAL CAPABILITIES OR LACK OF EXPERIENCE AND KNOWLEDGE ONLY IF THEY HAVE BEEN GIVEN SUPERVISION OR INSTRUCTION CONCERNING USE OF THE APPLIANCE IN A SAFE WAY AND HAVE UNDERSTOOD THE HAZARDS INVOLVED. CHILDREN SHALL NOT PLAY WITH THE APPLIANCE. CLEANING AND USER MAINTENANCE SHALL NOT BE MADE BY CHILDREN. ALL WIRING AND INSTALLATION MUST BE SUPERVISED BY A SUITABLY QUALIFIED PERSON.



Please also fully read and understand the boiler user instructions before use.



It is normal for the hot water to take a moment to both dispense upon each use and stop fully after the handle is closed.



Removing and storing the hotkey™ allows you to disable the 98°C function of this tap, if all persons in the house understand the safe use of the product then hotkey™ can be stored at the rear of the body of the tap when not in use.



Do not add to, exchange or modify any component of the boiler or mixer tap, only genuine parts must be used. The spout exit or any part of the system must not include any additional third-party adaptors, components or connections that will add resistance or modify the system.



The installation should be periodically checked for damage, if the property is left unattended for a prolonged period, we recommend isolating water supplies and switching off the boiler at the mains socket. On reconnection flush thoroughly.

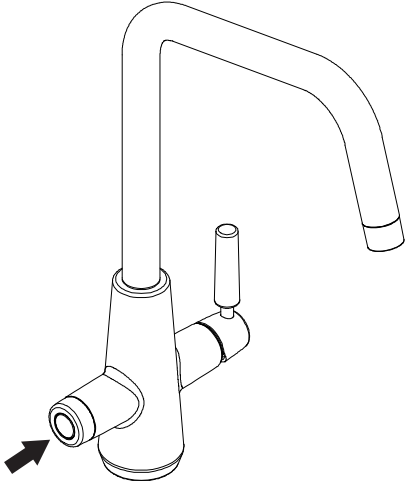

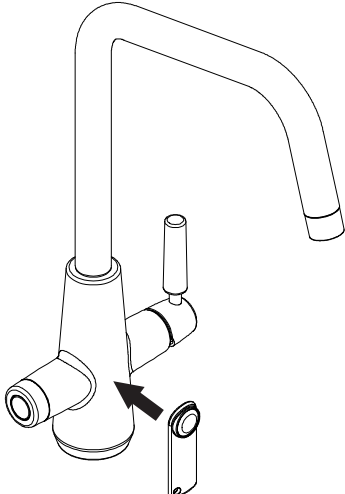
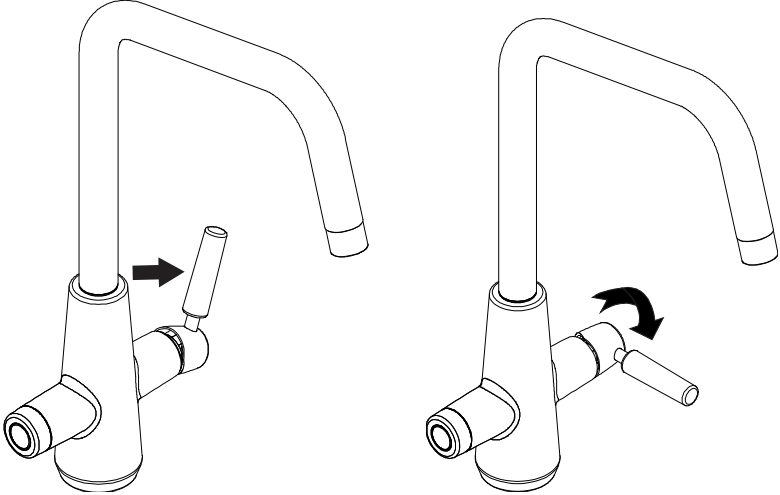


Clean the tap with a damp soft cloth and a mild dish soap to remove any grease marks created during installation as per the care instructions.




Each time the product is used you should flush a small amount of boiled water through before use, typically this can be used to preheat your cup, if unused for extended periods then flush the product a longer time.


Your tap can dispense 4 types of water:

<p>Cold (filtered) water – This is delivered when button is pressed on the left side of the tap as shown.</p>	<p>(Fig 1.)</p> 
<p>Hot (boiled & filtered) water - This is delivered when the hotkey™ is placed or rested near the bottom of the body of the tap, the key should be placed or held near the  symbol. For two hands free use (for example when filling a pan) the hotkey™ can be rested against the front of the tap.</p> <p>Please refer to the PROBOIL4E user guide for more information on best and safe use advice.</p>	<p>(Fig 2.)</p> 
<p>Hot & Cold (domestic) water – Cold water is delivered when the right-side handle is tilted right (Fig. 3). and Hot is delivered when pulled forwards (Fig 4).</p>	<p>(Fig 3.) (Fig 4.)</p> 

Care instructions for your kitchen tap mixer

To maintain the appearance of this tap, ensure that it is regularly cleaned only using a clean, soft damp cloth. A solution of warm water and a mild liquid detergent may be used where necessary, and then the fitting rinsed thoroughly and wiped dry. Any other cleaning action will invalidate your warranty.

 Abrasive cleaners, scouring cleaners and acidic cleaners **must not be used** under any circumstances. Avoid contact with all solvents (including chlorinated solvents, ketones or acetones as these may result in surface deterioration or etching). Also avoid contact with any harsh household chemicals such as oven cleaners, drain cleaners, rust removers, paint strippers and toilet bowl cleaners, bar keepers friend or Brasso.

 Where the tap has a removable aerator on the spout exit it can be removed and cleaned periodically to maintain optimum flow performance and remove any limescale, when reattaching please **ensure to reconnect the center stem of the aerator to the center spout flexible tube fully**.

Tap Warranty Terms and Conditions

In the unlikely event that you should experience any defect in the materials or workmanship of your new Abode mixer within 5 years of purchase, the purchaser's sole remedy shall be the replacement (at the manufacturer's discretion) of all or any part of the product that is defective. All working parts and valves are guaranteed for a period of 5 years from purchase. Decorative surface finishes and O-rings are guaranteed for 1 year from the date of purchase provided that our advice concerning care has been observed and no scouring agents have been used. This is provided that the mixer or tap has been used for normal domestic purposes and that the care, installation and maintenance instructions have been observed. The warranty extends to the original purchaser only.

Marks, scuffs and scratches caused by improper installation or accidental damage are not covered by this guarantee. Neither are shade variations or any damage or defect caused by incorrect installation or abuse of the fitting.

As we are continuously improving and developing our range of products, finishes & colours, in the event of a valid claim, we may not be able to provide an identical replacement for the defective product throughout the guarantee period. Where an identical product is no longer available, we will supply the nearest equivalent from our then current product range. In assessing your claim, we must be given the opportunity to inspect the product as installed prior to removal. Any product returns must be packaged as received and complete.

No other warranties, express or implied, are made, including merchantability or fitness for a particular purpose. Under no circumstances shall the manufacturer be liable for any loss or damage arising from the purchase, use or inability to use this product, or for any special, indirect, incidental or consequential damages. No liability is accepted for consequential damage to other household fixtures, fittings or furnishings arising from this claim, even if attached to the product. No installer, dealer, agent or employee of Norcros Group (Holdings) Ltd. has the authority to modify the obligations or limitations of this warranty.

Tap installation

Important Technical Data

Min operating pressure (hot): 1 bar	Min operating pressure (cold): 1.5 bar
Min operating pressure Flow Limited (hot): 2.3 bar	Min operating pressure Flow Limited (cold): 2.3 bar
Max operating pressure: 5.5 bar*	Max domestic hot water temperature: 60°C*
Flow characteristics: Domestic Hot, Cold & filtered cold share outer single flow spout. Boiled filtered water: Through centre spout channel.	Recommended domestic hot water Temperature: 46°C

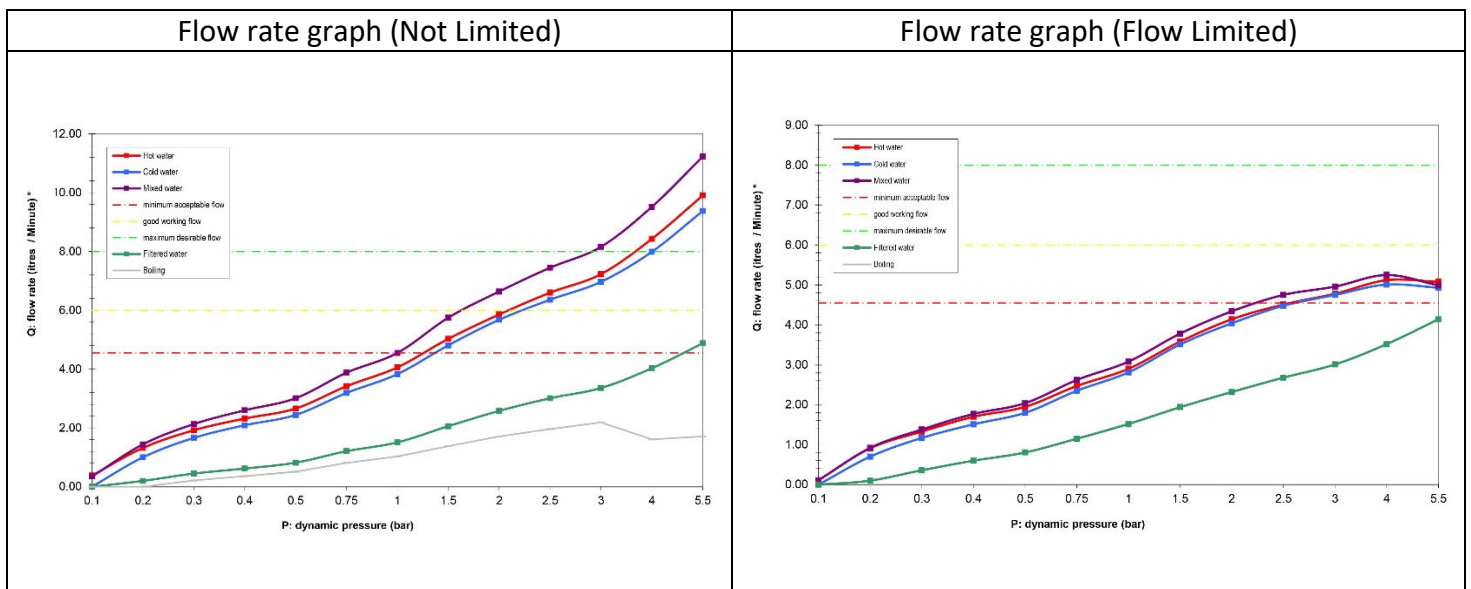
! *If these temperatures or pressures are exceeded, even for short periods, damage can result. In these instances, a thermostatic mixing or pressure reducing valve should be installed.

! This product is manufactured in accordance with recognised European standards. Please ensure that your kitchen mixer is fitted in accordance with Local Water Byelaws. **Where hot and cold water mix within the tap, then suitable non return (check) valves should be installed to both the hot and cold supplies to prevent backflow**, a preinstalled non return valve (E2) on the cold supply flexi hose (E1) is already supplied (see instructions key).

i Hot and cold supply pressures should be as closely balanced as possible for best results. Supply pipes should maintain the maximum diameter until immediately before the fitting. The differential between the hot and cold water supply temperatures should be sufficient to allow correct mixing function.

! These installation guidelines have been prepared for your direction and you must exercise due care at all times. We do not accept responsibility for problems that may occur through improper installation. Whilst assembling the tap take care not to accidentally loosen any factory fixed assemblies.

This tap has been 100% assembly tested; therefore you may expect a small residual amount of water to remain in the tap when delivered. Any water marks can be removed using the care advice.



Installation Preparation

⚠️ You must install the mixertap and filter before the boiler.

⚠️ Before installing the new mixer it is essential that you thoroughly **flush through the supply pipes** in order to remove any remaining solder, swarf or impurities from your system. Failure to carry out this simple procedure could cause problems or damage to the workings of the mixertap or boiler.

🔧 We recommend installing particle filters (not shown) and isolation valves (G1) to both the hot and cold feed pipes in an accessible position. This will help to prevent premature failure of the valves and ease any future maintenance.

⚠️ Ensure you have suitable domestic hot and cold water pressure before installing this product (see technical data).

ⓘ All parts should be removed from their packaging and inspected for any transport damage and completeness prior to installation.

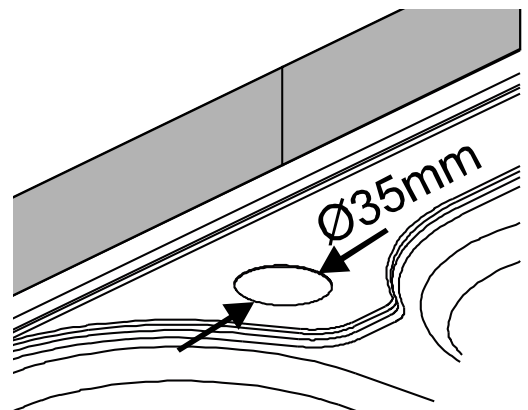
ⓘ Loosely position the tap, pipes and other principal supply components to check if any alterations to the existing supply pipework is required, if this is the case do this now.

⚠️ Shut off your water heating system and ensure that your mains stopcock is closed. Open the lowest hot and cold taps in the house and allow the water to run until fully stopped.

If replacing an existing tap, remove the tap & clean the end of the feed pipes using wire wool, the tap hole area should be free from dirt and sealant.

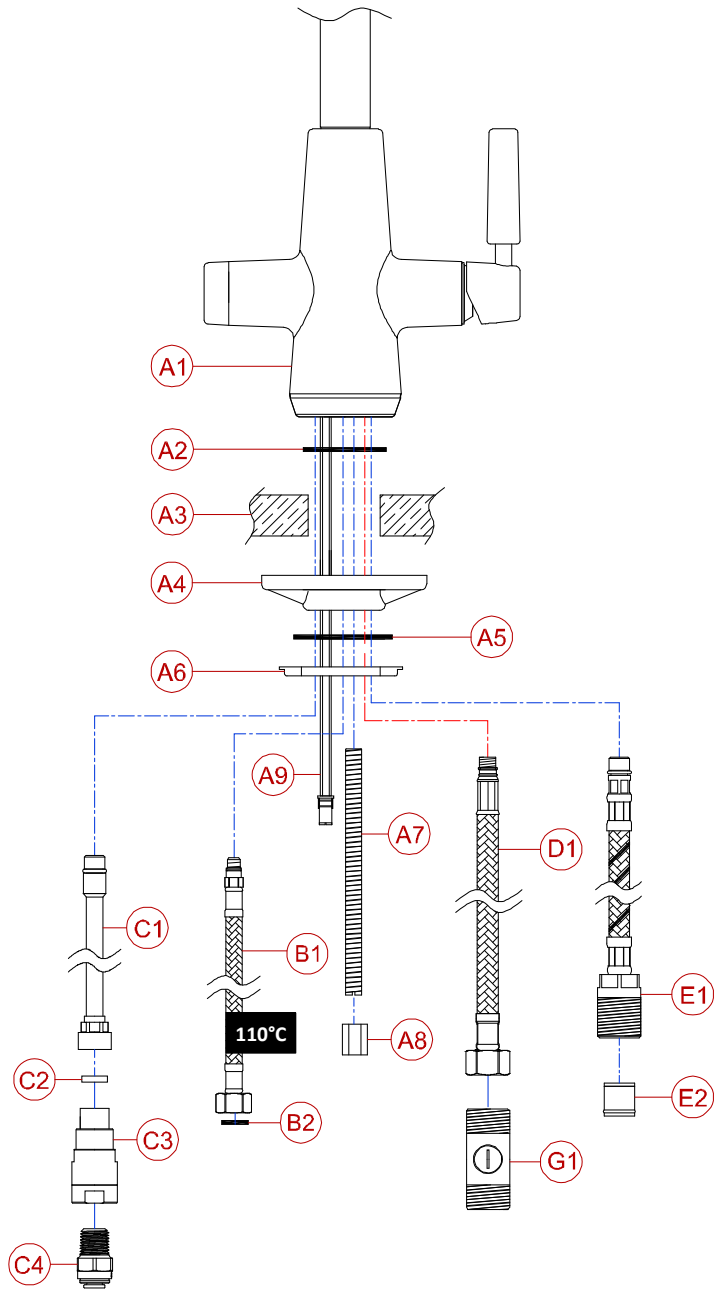
If replacing an existing tap, remove the tap & clean the end of the feed pipes using wire wool, the tap hole area should be free from dirt and sealant. This mixertap requires a $\varnothing 35\text{mm}$ tap hole.

ⓘ This tap is designed to be installed in a worktop with a maximum thickness of 50mm.



Parts and Contents

Key	Description	Qty
A1	Mixer tap & Base Plinth (Dependant on model)	1
A2	Base seal	1
A3	Sink or worktop (max. 50mm)	0
A4	White triangular plate (for use with steel sinks only)	1
A5	Lower gasket	1
A6	Metal horseshoe	1
A7	Fixing stud	1
A8	Fixing nut	1
A9 (X4)	Boiler Data Connection	1
B1 (X5)	Boiler flexi tail (marked 110°C)	1
B2	14mm Fibre seal	1
C1	Cold filtered in M10 copper pipe	1
C2	13mm Fibre seal	1
C3 (X1)	Filtered water adaptor (NRV prefitted)	1
C4 (F9)	¼" NPTF x ¼" Push fit connector	1
D1	Domestic hot in (from mains feed) red banded flexible hose M8 x ½" BSPF	1
E1	Domestic cold in blue banded flexible hose M8 x ½" BSPM	1
E2	NRV (hot) (pre-installed)	1
G1	15mm isolation valve	0



Install the tap:

YOU MUST CAREFULLY RESPECT THE INLETS AND OUTLETS AS SHOWN

This diagram shows the view of the base of the tap (A1) with the 98°C water handle to the left of the body.

Key:

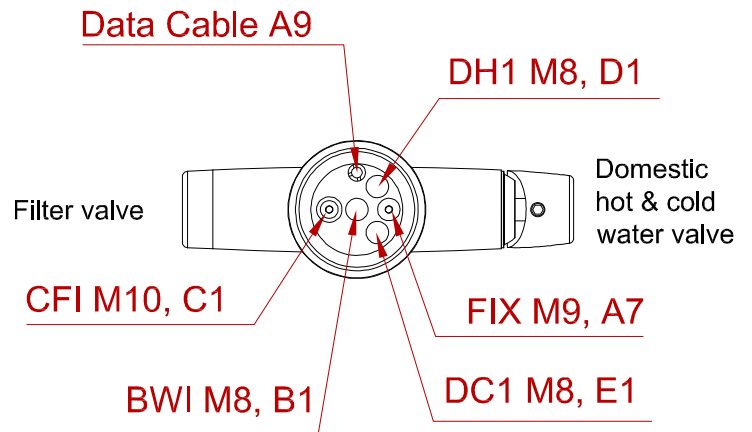
DCI = Domestic cold in (M8 - E1)

DHI = Domestic hot in (M8 - D1)


CFI = Cold filtered in (M10 - C1)

FIX = Fixing stud (M9 - A7)


BWI = 98°C Water in (M8 - B1)



1. Screw the fixing stud (A7) into base of tap (A1) as shown on the diagram.
2. Place the base seal (A2) onto the base of the tap (A1).
3. Hand tighten the domestic hot in flexible hose (D1) as shown in the diagram.
4. Hand tighten the domestic cold in flexible hose (E1) as shown in the diagram.
5. Hand tighten the filtered cold in copper pipe (C1) as shown in the diagram.
6. Hand tighten the filtered boiler flexible hose (B1) as shown in the diagram.
7. Screw push fit (C4) into brass adaptor (C3).

 **We recommend using PTFE tape (do not use sealing compound) on the thread of the pushfit fittings to make a good seal without applying excessive force (which may damage the plastic pushfit if overtightened).**

8. Screw brass adaptor (C3) into copper extension pipe (C1) using an adjustable spanner ensuring fibre washer (C2) is in place.
9. Place the tap (A1-A2) centrally and straight to the tap hole, passing the fixing stud (A7), flexi hoses (B1, D1, E1), cold filtered in connections (C1, C2, C3, C4) and Data cable (A9) through the tap hole.

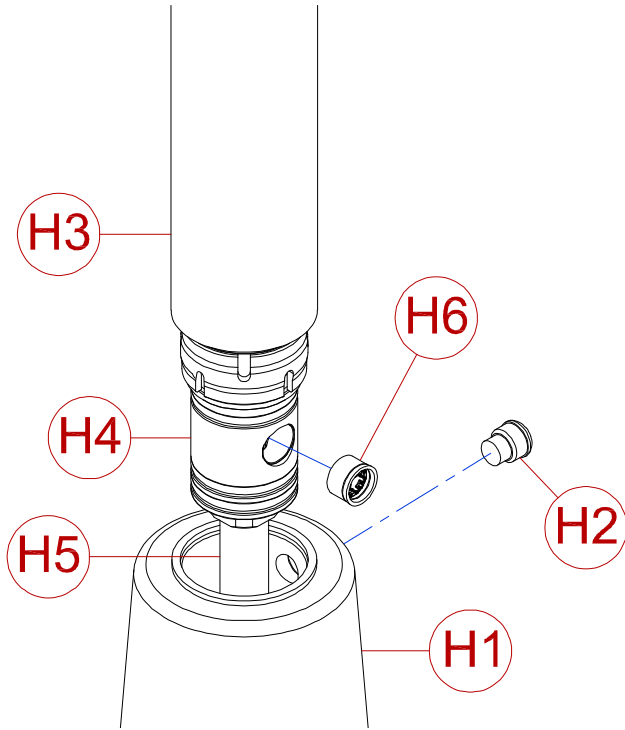
 **Take special care not to pull or trap data connection wire (A9) between the tap body and the sink or worktop, a Velcro tie wrap is included with the boiler pack to secure the data connection wire and prevent it becoming accidentally pulled.**

10. Pass the lower gasket (A5) then the metal horseshoe (A6) over the fixing stud (A7). Note: only if the tap is to be fitted to a stainless steel sink then the white triangular plate (A4) can be fitted where shown to improve the stability of the tap.
11. Using a 13mm box spanner or small adjustable spanner tighten fixing nut (A8) onto the fixing stud (A7).
12. Connect the domestic hot water flexible hose (D1) to the hot water isolation valve (G1).

13. Leave hotkeys in their bags and safe for the customer to find after testing the Proboil installation.

14. Now please refer to 'PROBOIL.4E User & Installation Guide' for the next steps on how to install the boiler and connect the tap and filter.

Install the 5 lpm Limiter:



Note: This process can be done before or after installation

1. Unscrew grub screw (H2) using a 3mm Allen key, and place it somewhere safe.
2. Carefully pull spout (H3) vertically away from tap body (H1) so that spout connection (H4) is visible.

Note: If tap is installed be careful not to pull spout (H3) to far away from tap body (H1).

3. Push flow limiter (H6) into the allocated hole in spout chamber (H4) as shown.

i Note orientation of flow limiter (H6).

4. Reassemble tap in reverse order.



THE LIMITER MAY NEED PERIODIC CLEANING OR REPLACEMENT

Please leave these instructions for your customer

10/2023